

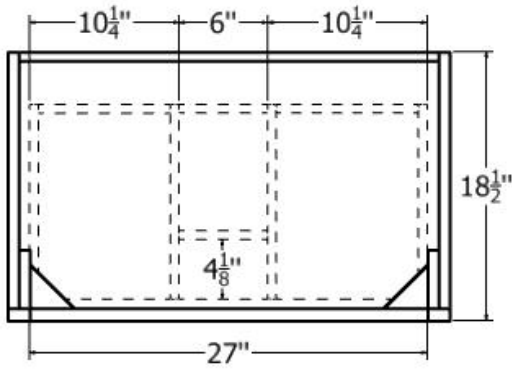
Available Colors:

White
Walnut

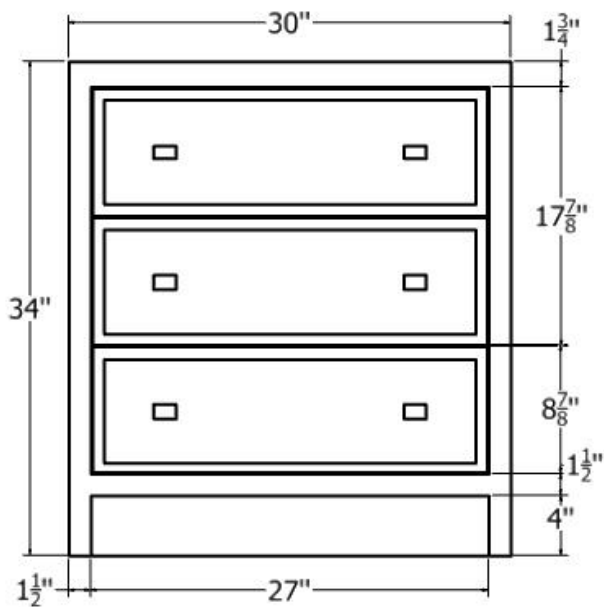
Features:

5/8" Solid Dovetail Drawer
Full Extension S/C Track

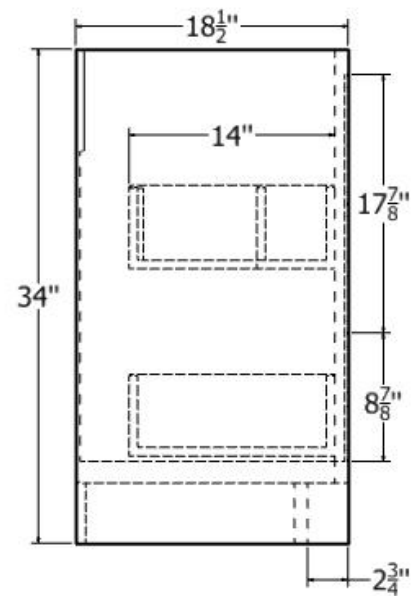
3/4" Plywood Veneer and Solid Wood
No MDF
Matching Mirror and Medicine Cabinet



TOP VIEW



FRONT VIEW



SIDE VIEW

WS3018-2D SPECIFICATION