

Available Colors:

White
Grey

Features:

Drawer Behind Doors

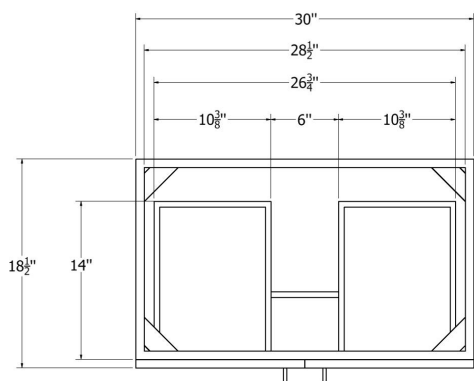
Soft Close Undermount Glides

5/8" Drawer With Dovetail Construction

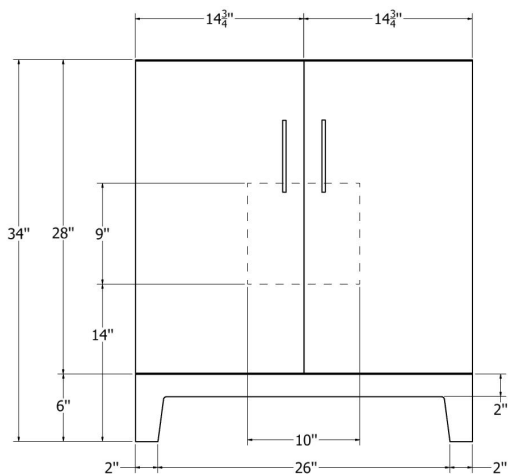
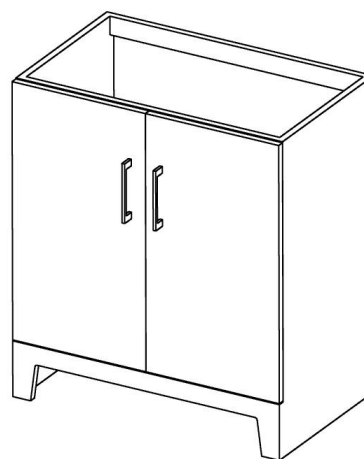
3/4" Plywood Laminate and Solid Wood

NO MDF

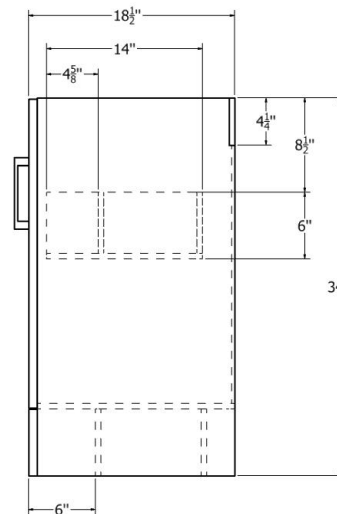
Matching Mirror and Medicine Cabinet



TOP VIEW



FRONT VIEW



SIDE VIEW

WF3018-D SPECIFICATION