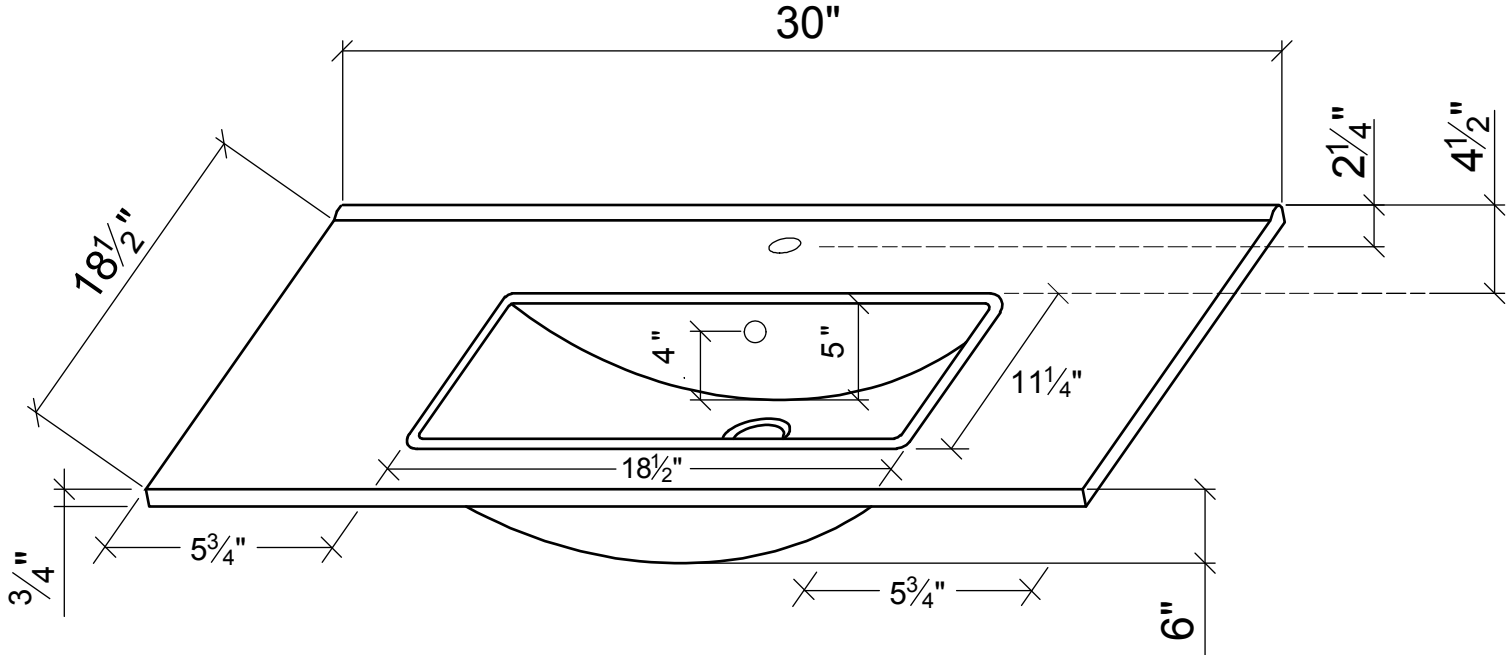


*CERAMIC TOP*



*SPECIFICATION  
CT3018*